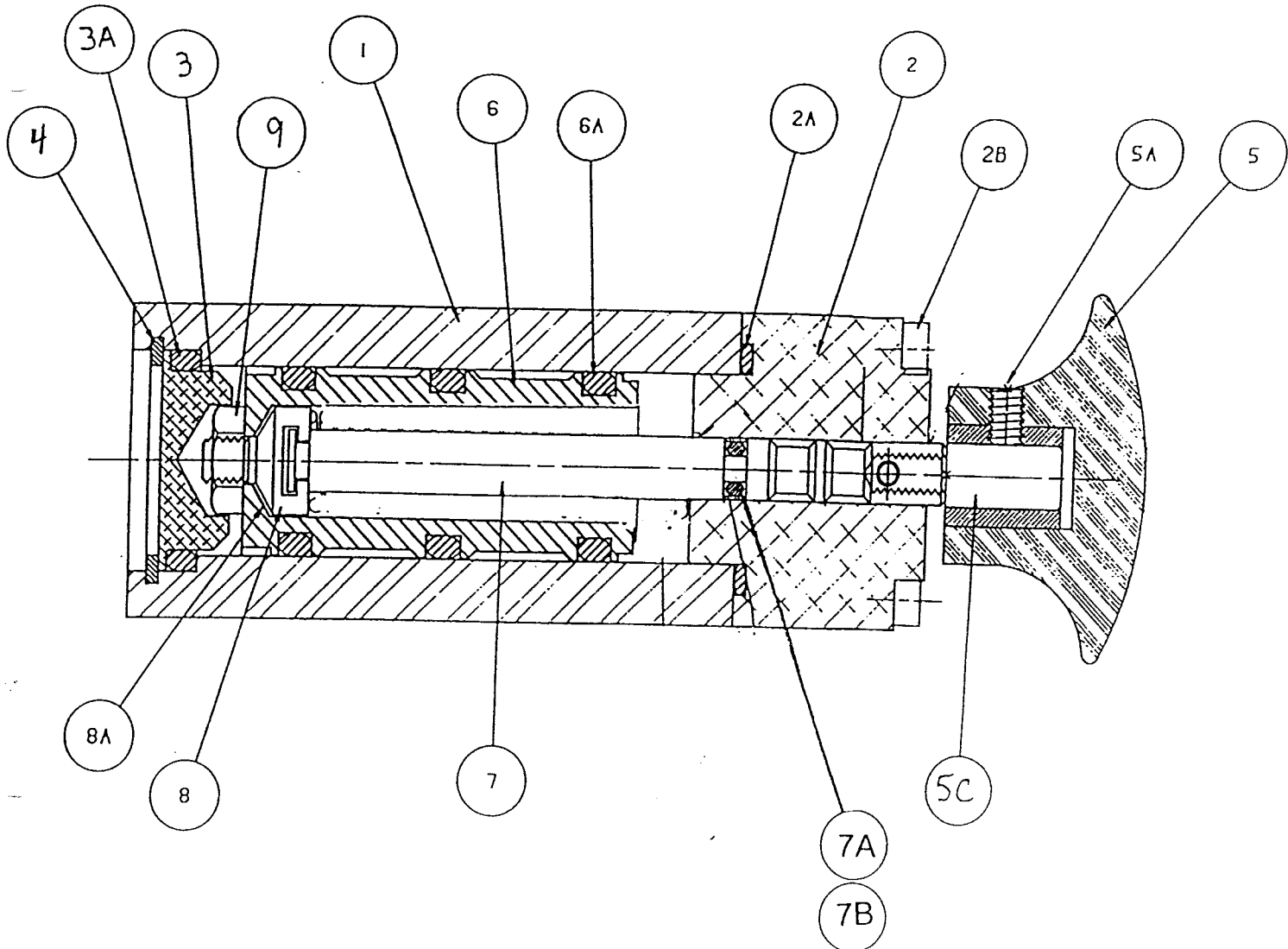


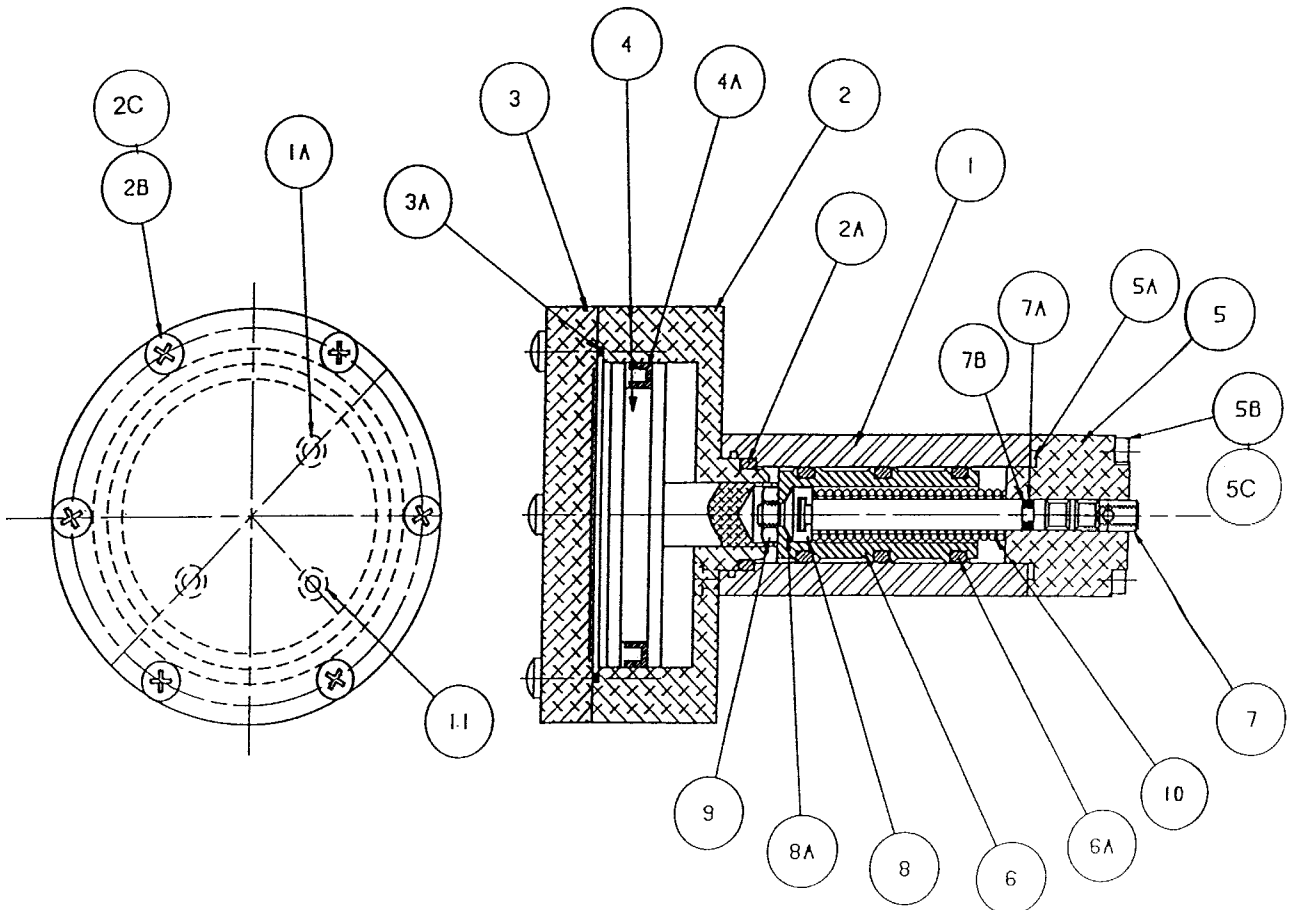
# SA-7702 Control Valve Assembly Pt#: SA-7702-ASSY

Item No.	Description	Material	Part No.	QTY
1	Valve Block	316 sst	SA-7702-1	1
2	End Plate	316 sst	SA-7700-5	1
2a	O-ring - End plate	Viton	SA-7700-5A	1
2b	Screw 6-32 x 1"	sst	SA-7700-5B	2
2c	Lock washer 6-32	sst	SA-7700-5C	2
3	End Plug	sst	SA-7702-3	1
3a	Seal End Plug	viton	SA-7702-3A	1
4	Snap Ring - End Plug	sst	SA-7702-4	1
5	Knob - push/pull	phenolic	SA-7702-5	1
5a	Set screw 8-32 x 1/4"	steel	SA-7702-5A	1
5c	Adapter, Knob	sst	SA-7702-5C	1
6	spool (small piston)	delrin	SA-7700-6	1
6a	O-ring	Viton	SA-7700-6A	3
7	Valve Spindle	316 SST	SA-7700-7	1
7a	Back up ring 1/4"	Teflon	SA-7700-7A	1
7b	O-ring	Viton	SA-7700-7B	1
8	Retainer	316 SST	SA-7700-8	1
8a	Seal	viton	SA-7700-8A	1
9	Nut, 10-32 - retainer	sst	SA-7700-9	1



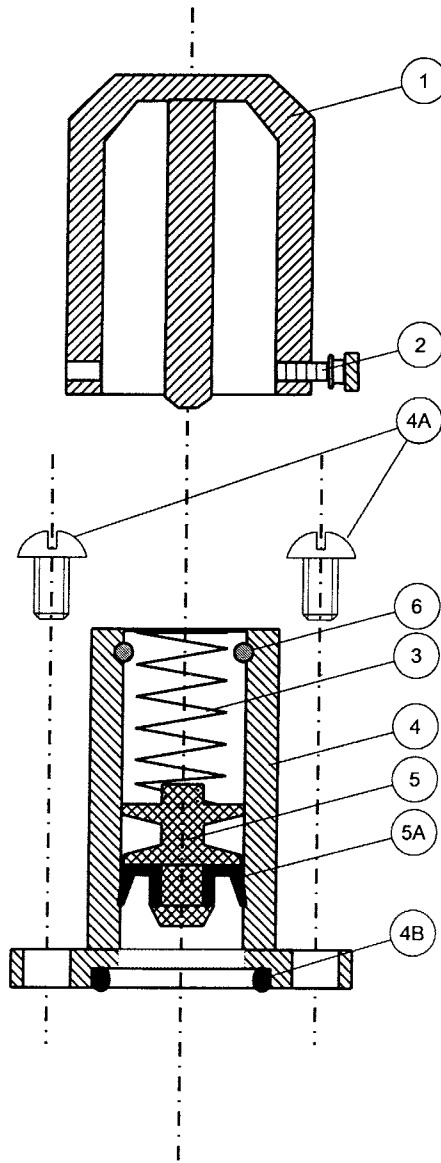
# SA-7701 Liquid Valve Assembly

Item No.	Description	Material	Part No.	QTY
1	Valve Block	316 sst	SA-7701-1	1
1A	Screw 6-32 x 3/8"	sst	SA-7701-1A	2
2	Piston Chamber	anod. AL	SA-7701-2	1
2a	O-ring	Viton	SA-7701-2A	1
2b	Screw 8-32 x 3/4" Phillips Head	sst	SA-7701-2B	6
2c	Lock washer 8-32	sst	SA-7701-2C	6
3	Cover - end	anod. AL	SA-7701-3	1
3a	O-ring - cover	Viton	SA-7701-3A	1
4	Piston - Large	anod. AL	SA-7701-4	1
4a	U-cup - Large Piston	Viton	SA-7701-4A	1
5	End Plate	316 SST	SA-7700-5	1
5a	O-ring	viton	SA-7700-5A	1
5b	Screw 6-32 x 1" Phillips	sst	SA-7700-5B	2
5c	Lock washer 6-32	sst	SA-7700-5C	2
6	spool (small piston)	delrin	SA-7700-6	1
6a	O-ring -spool	Viton	SA-7700-6A	3
7	Valve Spindle	316 SST	SA-7700-7	1
7a	Back up ring - spindle	Teflon	SA-7700-7A	1
7b	O-ring - spindle	Viton	SA-7700-7B	1
8	Retainer	316 SST	SA-7700-8	1
8a	Seal - Retainer	Neoprene	SA-7700-8A	1
9	Nut, 10-32 - retainer	sst	SA-7700-9	1
10	Spring		SA-7700-10	1



## Sizer Assembly Pt# SA-7703-assy

<u>Item #</u>	<u>Description</u>	<u>Material</u>	<u>Part #</u>	<u>QTY.</u>
1	Sizer Cap	316 SST	SA-7703-1	1
2	Sizer Cap Lock Screw	Brass	SA-7703-2	1
3	Spring	316 SST	SA-7703-3	1
4	Sizer Body	316 SST	SA-7703-4	1
4A	Sizer Mounting Screw x2 10-24 x 1/2"	316 SST	SA-7703-4A	2
4B	Body Mount Seal	Viton	SA-7703-4B	1
5	Sizer Piston	Brass	SA-7703-5	1
5A	Piston U-Cup	Buna	SA-7703-5A	1
6	Piston Retainer	316 SST	SA-7703-6	1



# Weight Actuated Shut-off Assembly

Pt#: SA-7704-assy

<u>Item #</u>	<u>Description</u>	<u>Material</u>	<u>Part #</u>	<u>Qty.</u>
1	Body Bushing	SST	SA-7704-1	1
2	Stem O-ring	Buna	SA-7704-3A	1
3	Rain Guard	Polyurethane	SA-7704-2	1
4	Bottle Holder/Lid	Adzd. Alum.	SA-7704-4	1
5	Housing	Cast Zinc	SA-7704-5	1
6	Spring	SST	SA-7704-6	1
7	Support Bushing	SST	SA-7704-7	1
8	Adjusting Lock Nut	SST	SA-7704-8	1
9	Valve Stem	SST	SA-7704-3	1
10	C-clip	SST	SA-7704-9	1

