

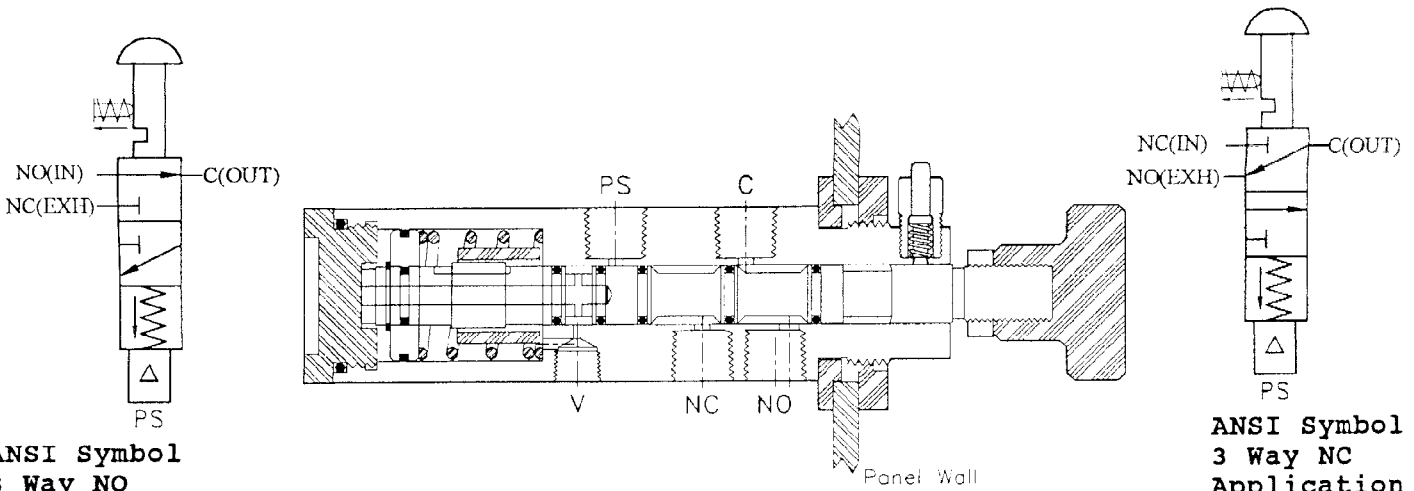
MANUAL RESET RELAY - HLR 150-14

Pull-To-Reset Model

Designed for control circuits that require a three way "Block & Bleed" flow control valve. The HLR 150-14 is a two position, three way **Universal ported (NC, C, NO)**, spring return, manual reset flow control assembly that is pilot supply pressure operated.

Special Features: Sometimes it becomes necessary to initiate an ESD shut-in or safety valve closure at the control panel rather than at a distant ESD Station. This model is specifically designed to allow the operator to override the in-service (actuated) placement for an ESD shutdown.

Reason To Use: Our versatile assembly can be used for either pneumatic (Natural Gas, etc.) service or hydraulic fluid control applications. It is Universal ported therefore, it can be employed as a three way **Normally Closed** or a **Normally Open** Manual Reset Relay. A Latch Pin assembly allows for instrument pressure transfer without Pilot Supply pressure applied. The Latch Pin will automatically release upon application of Pilot Supply pressure. The exhaust function control port is threaded to properly dispense the exhausting pneumatic (gas) media to a disposal header or return hydraulic fluid to the reservoir.



ANSI Symbol
3 Way NO
Application

ANSI Symbol
3 Way NC
Application

Characteristics

1. Dimensions : 1.500" Dia. X 8.0" L.
2. Working Pressure: 200 PSI Max.
3. Connections: 1/4"-18 N.P.T. (Control Ports)
1/8"-27 NPT (Exhaust Vent)
4. Material: 316 Stainless Steel
5. Weight: 2.5 Lbs. (1.13 Kg.)
6. Panel Hole Cutout: 1.500" Dia. (38.1 MM)

MANUAL RESET RELAY – HLR 150-14

ORIENTATION & DIMENSION DRAWING

