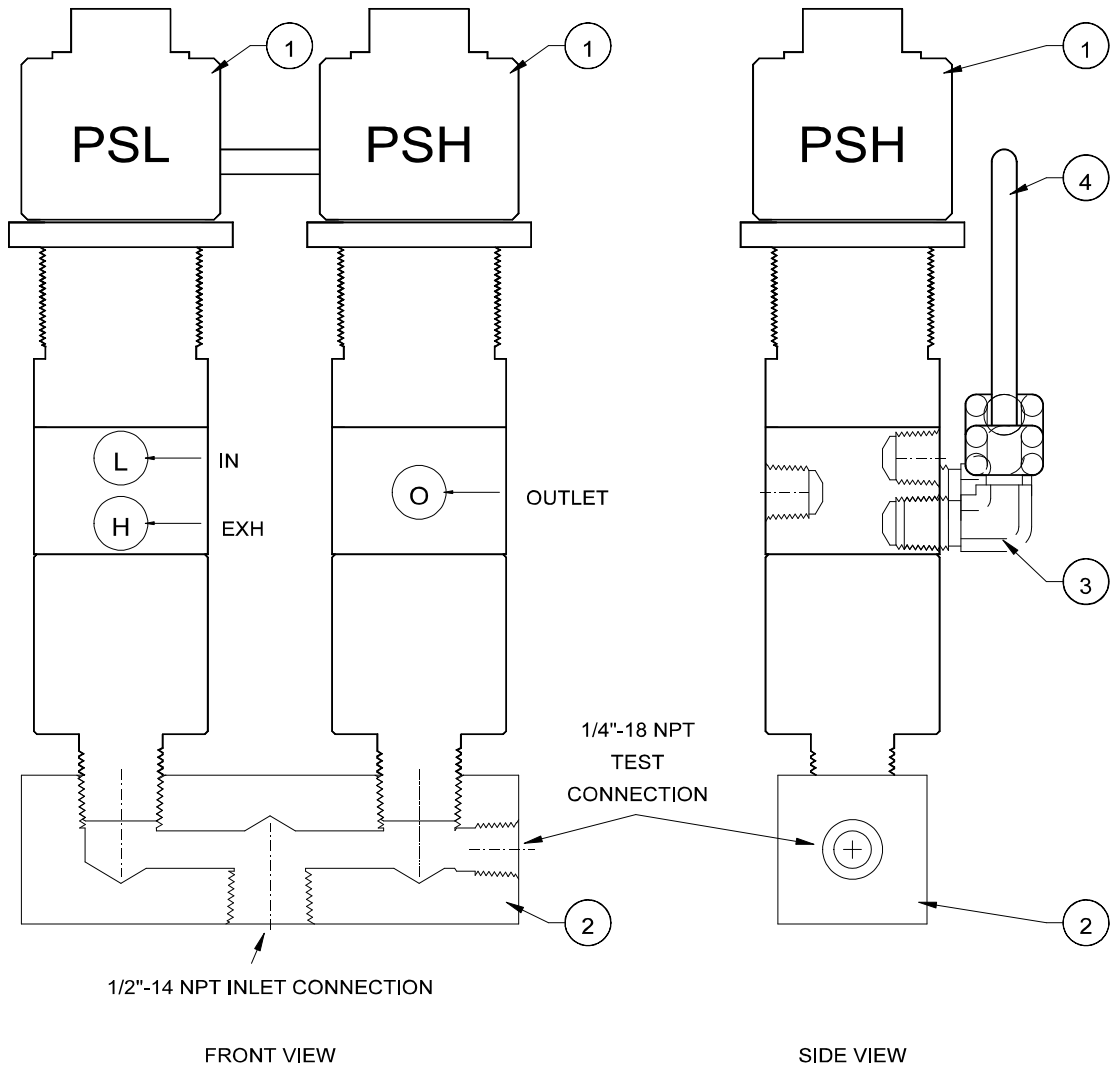


HLR 7970 HI/LO SET MANIFOLD ASSEMBLY WITH PSH & PSL PRESSURE SENSORS

The HLR 7970 Hi/Lo Set is a manifold assembly with two Pressure Sensors. One Pressure Sensor is programmed as a Low (PSL/Pressure Decreasing) and the other is a High (PSH/Pressure Increasing). Together the Pressure Sensors monitor a particular operating pressure range. They react pneumatically whenever process media pressure falls below or rises above specific set pressures.

The HLR 7970 Hi/Lo Set is selected when direct field mounting on process equipment is required.



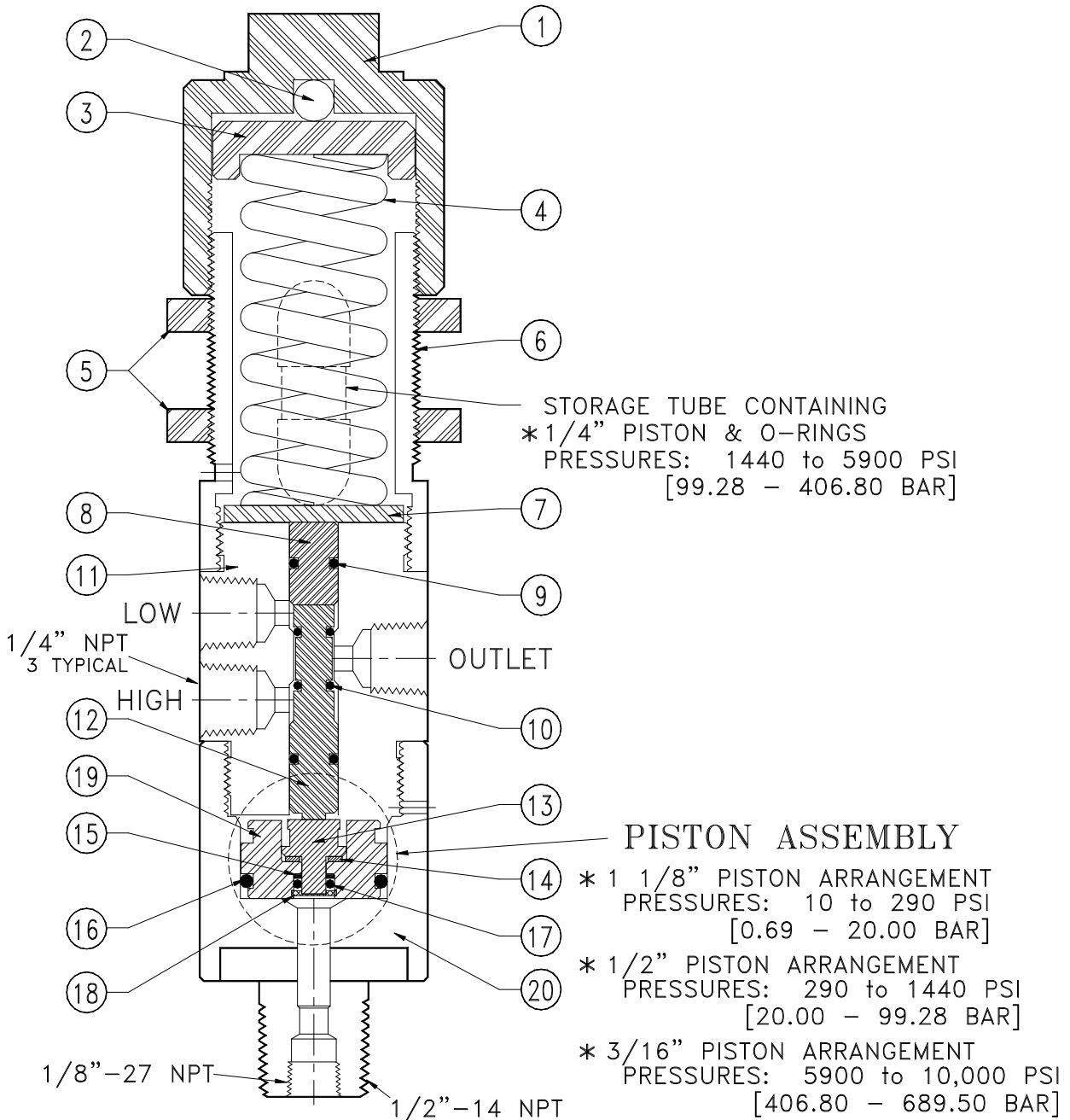
BILL OF MATERIALS

ITEM	PART NAME	PART NUMBER	MATERIAL
1.	Pressure Sensor (2)	7970	316SS
2.	Manifold	8130	316SS
3.	Tubing Connection (2) 1/4" NPT x 1/4 tube		316SS
4.	Tubing	1/4" O.D.	316SS

HIGH/LOW PRESSURE SENSOR - HLR 7970

with 79702MSG Piston

A SELF CONTAINED UNIT
For Pressures From 10 to 10,000 PSI



(0.69 - 689.50 Bar)

*This piston arrangement and pressure range may be obtained through a combination of rearranging the components in the current piston assembly and utilizing components in the storage tube. The following pages contain an enlarged and detailed view with material list for each piston arrangement.

HIGH/LOW PRESSURE SENSOR - HLR 7970

The HLR 7970 Pressure Sensor is a pressure balance spool control valve used to respond to a predetermined pressure setting. In the Pressure Safety Low (PSL) mode, the valve functions as a 3-way, normally closed, block and bleed control. When used in the Pressure Safety High (PSH) mode, it functions as a 3-way, normally open, block and bleed control. The HLR 7970 is a unique self-contained control capable of responding to set pressure points from 10 to 10,000 PSI (0.69-689.50 Bar).

BILL OF MATERIAL

ITEM	PART NAME	PART NUMBER	MATERIAL
1.	Adjusting Cap	79710A	Delrin
2.	Ball	5/16"D	316SS
3.	Spring Guide	79711A	Delrin
4.	Spring	HLR-1	316SS
5.	Lock Nut (2)	79712A	Delrin
6.	Spring Housing	79709A	316SS
7.	Stop	79708	316SS
8.	Upper Stem	79707A	316SS
9.	O-Ring (2)	AS-010V75	Viton
10.	O-Ring (2)	AS-008V75	Viton
11.	Body	79704A	316SS
12.	Lower Stem	79706A	316SS
13.	Small Piston	79703A	316SS
14.	Spacer	79705	316SS
15.	Back Up Ring	AS-008VBU	Viton
16.	O-Ring	AS-119V75	Viton
17.	O-Ring	AS-008V95	Viton
18.	Retainer Ring	.312IRR	316SS
19.	Large Piston	79702MSG	316SS
20.	Piston Housing	79701A	316SS
21.	1/4" Piston	79713A	316SS
22.	O-Ring	AS-006V95	Viton
23.	Back Up Ring	AS-006VBU	Viton
24.	O-Ring	AS-012V75	Viton
25.	Back Up Ring	AS-012VBU	Viton

FEATURES

1. Dimensions: 1.750 in Dia. x 8.00 in L. [44.45 mm Dia. x 203.20 mm L.]
2. Working Pressure: Sensed Inlet - 10 - 10,000 PSI [0.69 - 689.50 Bar]
3. Connections: Sensed Inlet - 1/2"-14 NPT"M"
1/8"-27 NPT"F"
Control 1/4"-18 NPT"F"
4. Weight: 3.5 lbs. [1.59 kg]
5. Panel Mount Detail: 1 5/8 in [41.28 mm] diameter hole required.

CAUTION

1. Do not disassemble while under pressure.
2. Remove spring tension to assemble or disassemble spring housing from body.
3. Do not plug control ports.

NOTE: A. Control performs best with low (30 PSI, 2.07 Bar) pneumatic supply.
B. Extra parts for changing piston arrangements are stored in tube.